

SPEEDWAY

SPM-553S Case Sealer

Side Belt Drive

SPM-554TS Case Sealer

Top & Side Belt Drive

Features:

The **SPM-553S** uses a new taping head incorporating a V shaped plate (patented) designed to keep the tape straight and in position for consistent sealing of every carton. This design is superior to previous blower devices. Driven by two side drive belts, each belt has a separate drive mechanism using a special bearing bracket. This provides higher precision, lower noise and lengthens belt life. Tape overlap length can be adjusted from 55mm-65mm.

The **SPM-554TS** uses the same features above but has a total of 4 drive belts, two side belts and two top drive belts. Three motors are supplied to drive belts. The machine has been designed for heavy cartons and can also seal tall-thin cartons. A flexible cushion prevents jamming of cartons under the top taping head.

OPTIONS: AVAILABLE IN STAINLESS STEEL



Machine shown with optional infeed and outfeed extension roller tables—sold separately
L 500 mm x W 530 mm



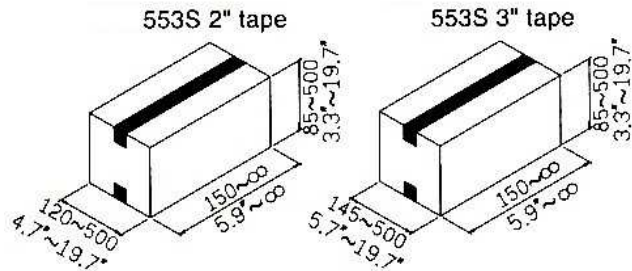
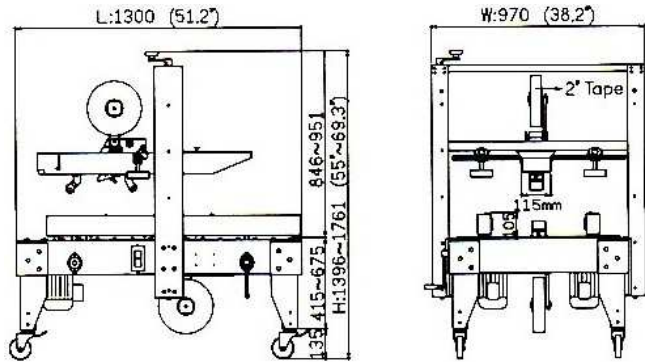
Manufactured in Taiwan

Speedway Packaging Machinery Inc.
www.spmi.ca

SPM-553S Case Sealer

Specifications

Voltage	110 V 1 PH 60 HZ
Power	10 amps
	Two motors, 370W
Sealing Speed	20M/min (66') / min.
Cartons/Hr	2400 cartons per hour
Tape Width	2" or 3"
	2" or 2.5" tape can also be used in 3" tape head with paper roll
Sealing Size	L 150mm x W 120 - 500mm x H 85-500mm
Shipping Weight	175 kg / 385 lbs

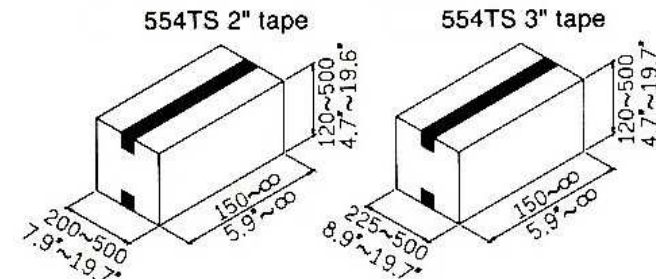
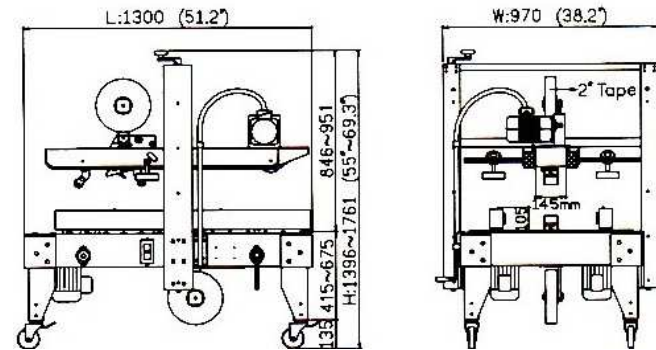


SPM-554TS Case Sealer

Specifications

Voltage	110 V 1 PH 60 HZ
Power	10 amps
	Three motors, 555W
Sealing Speed	20M/min (66') / min.
Cartons/Hr	2400 cartons per hour
Tape Width	2" or 3"
	2" or 2.5" tape can also be used in 3" tape head with paper roll
Sealing Size	L 150mm x W 200 - 500mm x H 120-500mm
Shipping Weight	200 kg / 440 lbs

Dimensions



Specifications are subject to change without notice-

NOTE: Not suitable to use these machines if the carton's height exceeds the length.

Manufactured in Taiwan

Distributed by:

SPEEDWAY PACKAGING MACHINERY INC.

P.O. Box 520
10 Gormley Industrial Ave., Unit 1
Gormley, Ontario L0H 1G0
905-888-5344

size : mm / inch