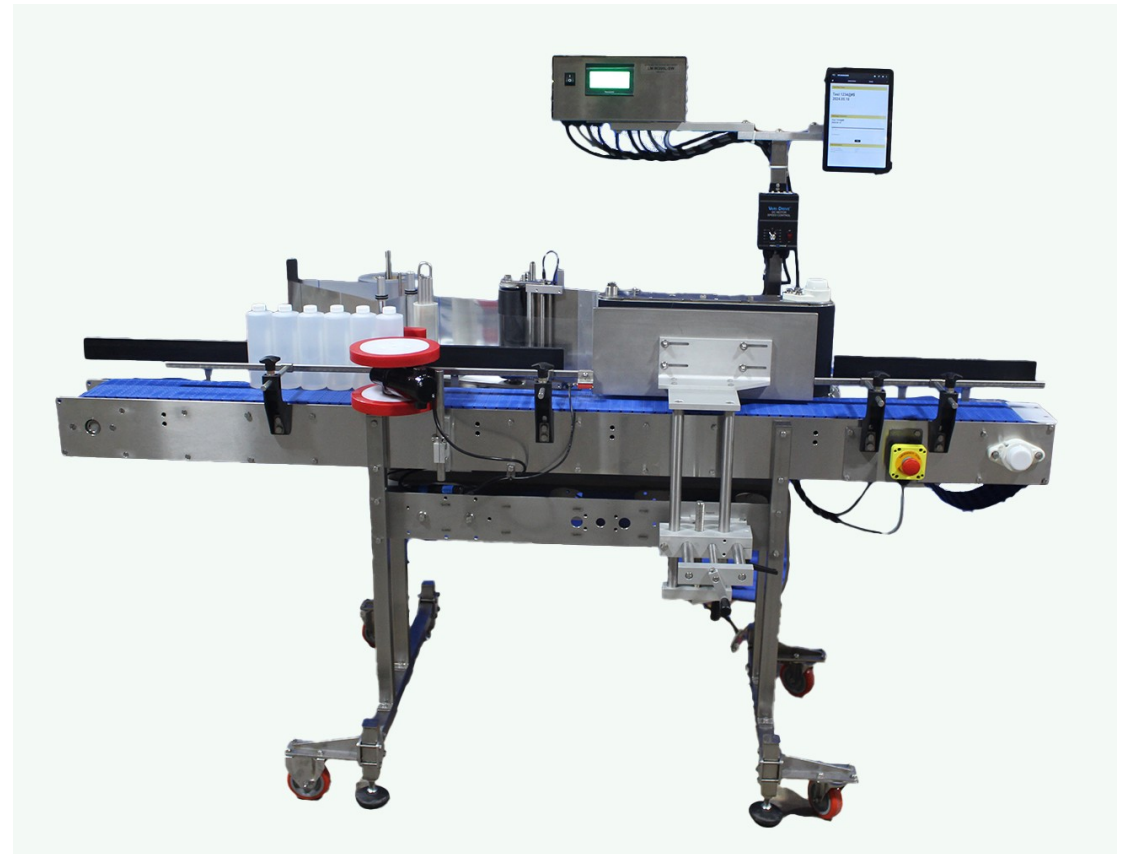


# SPEEDWAY PACKAGING MACHINERY

## LM-W150/200 WRAP AROUND LABELER

### Stepper Driven

This rugged machine is built to last and will provide decades of reliable service. The stainless steel construction ensures it will withstand the rigours of daily use and harsh environments. An intuitive touch screen means operation is a breeze. Simple adjustments with no need for tools, allowing multiple bottles sizes to be run with minimal downtime.



**Speedway Packaging Machinery**

[www.spmi.ca](http://www.spmi.ca)

# LM-W150/200

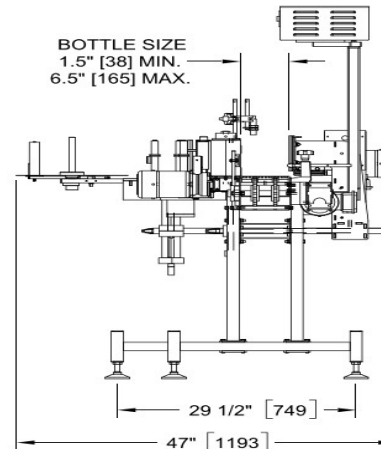
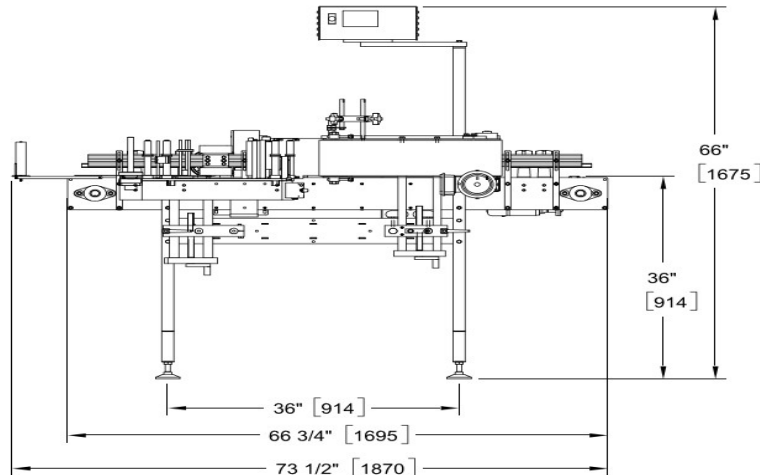
## WRAP AROUND LABELER

### Specifications

Speed	Standard	Upgrade
Max Dispensing Speed	100ft/min (30m)	150 ft/min (45m)
Max Conveyor Speed	65ft/min(20m)	100ft/min(30m)
Dimensions and Weight	Standard	Optional
Applicator Height	6" (150mm)	8" (200mm)
Max Label Length	20" (500mm)	As Required
Conveyor Width	6" (150mm)	As Required
Conveyor Length	91" (2310mm)	As Required
Maximum Container Dia.	7" (175mm)	As Required
Approx. Net Weight	330lbs (150kg)	Varies
Spool Diameter / Core	14" (350mm) / 3" (76mm)	
Power		
Voltage	110 VAC 60 HZ 1 Phase	
Power	8 Amps	
Optional		
Coding	Inkjet Printer, TTO Printers, Hot Stamp Coder	
Sensors	Clear Label Sensor	
Performance	Label Driver Upgrade	
	Zero-Down-Time dual applicator	
Mobility	Adjustable Casters	
Efficiency	Infeed and accumulation turntables or shelf	

### Key Features

- ◆ Best machine in terms of cost and performance
- ◆ Fast labeling speeds with a small footprint
- ◆ Stainless steel and anodized aluminum construction
- ◆ Touch screen control provides fast and easy setup
- ◆ Easy and quick changeovers for reliable label positioning
- ◆ Very flexible—can accept a wide range of label sizes
- ◆ Integrated missing label detection prevents miss labelling
- ◆ Adjustable printer dwell time adapts to different coders
- ◆ Stepper motor drive for accuracy
- ◆ Set label position with a touch of a button, no need to adjust the sensor
- ◆ Integrated programmable counter can be programmed to automatically stop machine when pre-set level is reached
- ◆ Casters can be added to adjustable leveling feet allowing the machine to be easily repositioned
- ◆ Easy to integrate into a production line or use in a stand alone operation



Manufactured by:

Speedway Packaging Machinery  
 50 West Wilmot St., Unit 4-5  
 Richmond Hill, ON  
 L4B 1M5  
 (905) 888-5344  
[www.spmi.ca](http://www.spmi.ca)